



Bathtub - CL.1

Two-way diverter - polished chrome

Article number: 29 126 705-00

- Manual diverter
- 1-1/2" hole diameter
- Flange 2-3/8" x 2-3/8"
- 1/2" connection
- Water flow rate limited to max. 6.2 gpm

Codes & Standards

- California Energy Commission (CEC)
- ASME A112.18.1/CSA B125.1



- Fittings group in compliance with DIN 4109: 2
- (ADA)



polished chrome

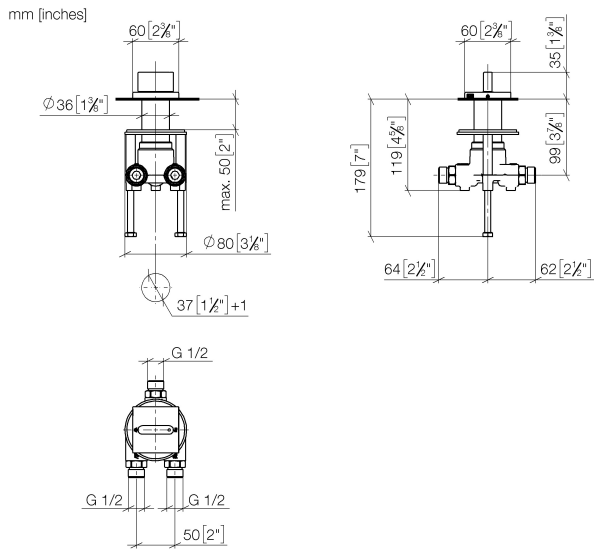
Discontinued items available to order until 31.12.9999

Bathtub - CL.1

Two-way diverter - polished chrome

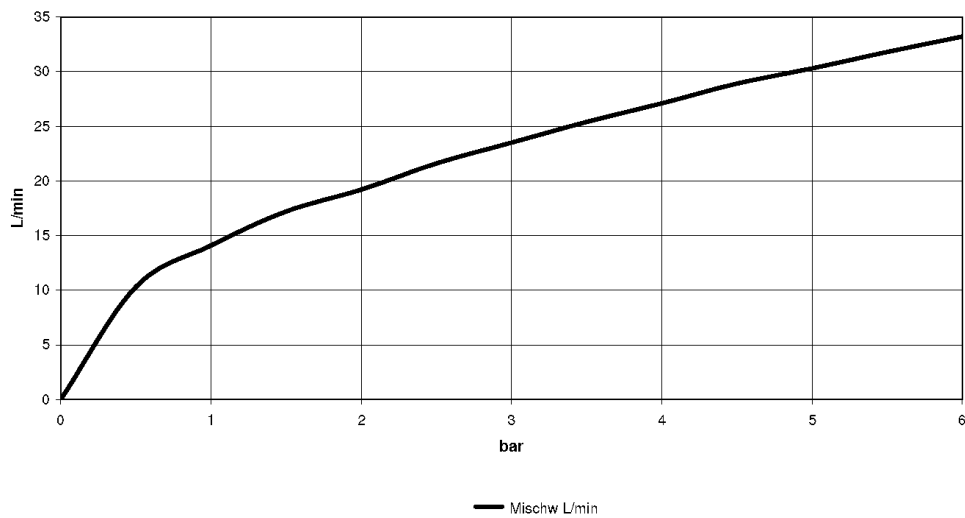
Article number: 29 126 705-00

Dimensional drawing



All dimensions in mm / inch = mm x 0,0394

Flow rate chart





Bathtub - CL.1

Two-way diverter - polished chrome

Article number: 29 126 705-00

Other surface finishes



platinum matte
29 126 705-06



Dark Platinum matte
29 126 705-99

More custom finish options are available via special production (xTra Service). Please see our finish matrix for availability and pricing or contact a Dornbracht representative.



12 509 970-90 0010

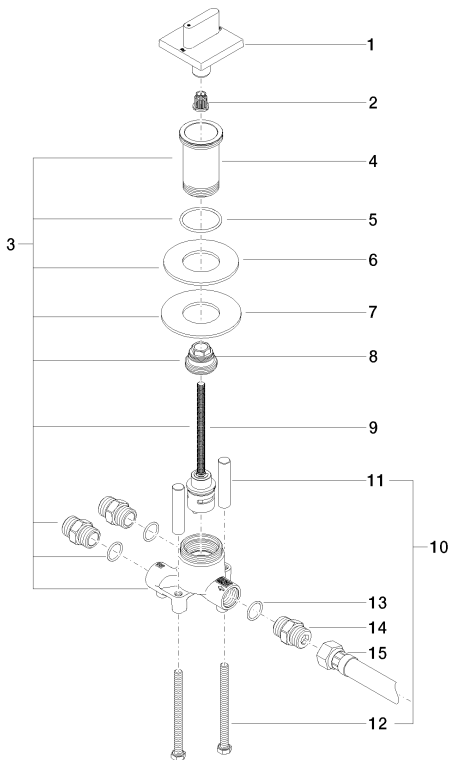
Hose set -

Bathtub - CL.1

Two-way diverter - polished chrome

Article number: 29 126 705-00

Spare parts list



Number	Item Number	Designation	Number of units
1	90 20 70 052 01-00	handle	1
2	09 12 12 002 90	fixing cap	1
3	04 17 01 198 00 90	diverter	1
4	09 30 01 209 90	connection	1
5	09 14 10 038 90	seal	1
6	09 14 05 059 90	seal	1
7	09 30 11 136 90	disc	1
8	09 24 04 223 90	nipple	1
9	90 90 03 159 00 90	diverter	1
10	04 30 30 153 00 90	fixing set	1
11	09 18 40 114 90	sleeve	2
12	09 30 30 153 90	screw	2
13	09 14 10 010 90	seal	3
14	09 24 03 168 10 90	nipple	3
15	12 503 970 90	Flexible supply line 1/2" x 1/2" x 23-5/8" -	1